

Standard and Optional Equipment

Standard Equipment

- Linde twin pedal system
- Linde load control integrated into armrest
- 2x9kW maintenance free AC drive motors
- 180° battery door for vertical/ lateral battery change
- Linde traction control
- Linde curve assist
- Adjustable PVC seat (operators weight and size)
- Multifunctional display
- Battery capacity 80V/ 320-700 Ah
- LED rear lights
- SE tyres
- Standard mast lift height h3 = 3050 mm
- Fork length l= 1000mm
- ISO 3691
- Standard truck lightning
- Adjustable steering column

Optional Equipment

- Single drive pedal with direction lever on armrest
- Alternative fork lengths
- Alternative fork carriage widths
- Various Standard/ Duplex/Triplex masts, up to lift heights of 6605mm
- Integrated side shift
- One or two additional hydraulic circuits for attachments
- Fork extensions
- Load backrest
- Full cabin
- Front and rear screens, wipers and top screens
- Comfortable seat
- Blue spot
- Individual colour

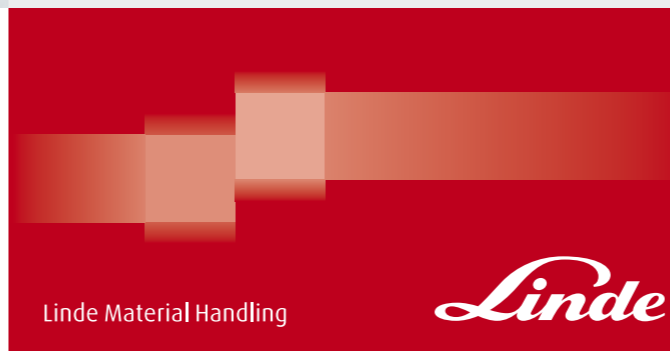


Other Options Available on Request



Electric Counterbalanced Trucks Capacity 2500, 3000, 3500kg E25, E30, E35

Series 1276



Safety

Reliable protection delivered by the highly rigid overhead guard. Superb stability due to the unique Linde combi axle and the dynamic Linde drive assist system, which provides safe operations at all times.

Performance

Very well known as electric trucks with IC truck performance, Linde electric trucks are delivered with powerful electric motors and an intelligent electronic control. These both together form an impressive and compact powerpack to deliver a benchmarking productivity.

Comfort

A consistently high level of efficiency for extended working periods is only possible with ergonomic design. The ergonomic layout of all truck controls, an adjustable armrest with integrated mini levers, and the twin pedal layout provides the optimum interface between the truck and its operator.

Reliability

Fully sealed aluminium component housings provide a superb protection from dust and dirt ingress. European manufactured cutting edge drive and lift motors and contact free hydraulic mini levers underline the premium standard of this electric truck.

Service

4 different battery changing solutions, maintenance free AC motors and wet disc brakes are bringing the truck down time to a minimum to ensure the lowest service cost level possible. Easy and quick diagnosis are realised through the Linde digital control system.

Features

Linde operator compartment

- Ergonomic design for efficient and fatigue-free working
- Spacious compartment with comfortable footwell and adjustable seat
- Small diameter steering wheel
- Adjustable steering column
- Various storage compartments

New mast design

- High strength mast profile made in Germany
- Optimised visibility by nested mast profiles
- View optimised assembly of lifting cylinders behind mast profiles



Flexible battery change solutions

- Standard 180° battery door for vertical and lateral battery change
- Flexible battery change solutions for different applications and customer needs
- Quick battery change to reduce the down time

Safe operation

- Patented high pivoting Linde steering axle
- Outstanding residual capacity
- Large step in plate with anti slip design



Linde twin pedal system

- Quick change of forward/reverse direction without changing feet on pedals
- Increased productivity
- Fatigue-free working



Linde load control

- Safe & accurate load handling
- Effortless fingertip control of all mast functions
- Contact free mini control levers integrated into armrest
- Wide and cushioned armrest

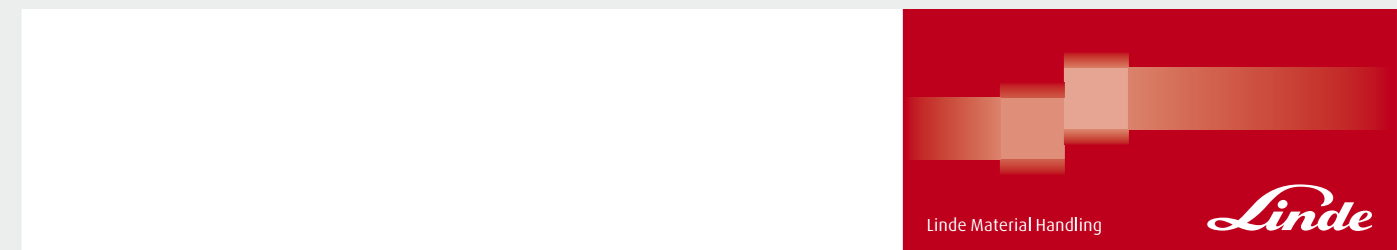


Linde combi axle

- Unites the advantage of both center-pivoted and swing axle
- Small turning radius equivalent to three-wheel truck
- Four-wheeler stability and comfort

*Subject to modification in the interests of progress. Illustration and technical details not binding for actual constructions and may show the optional equipments.

1276-01 E25, E30, E35, D-01_201510

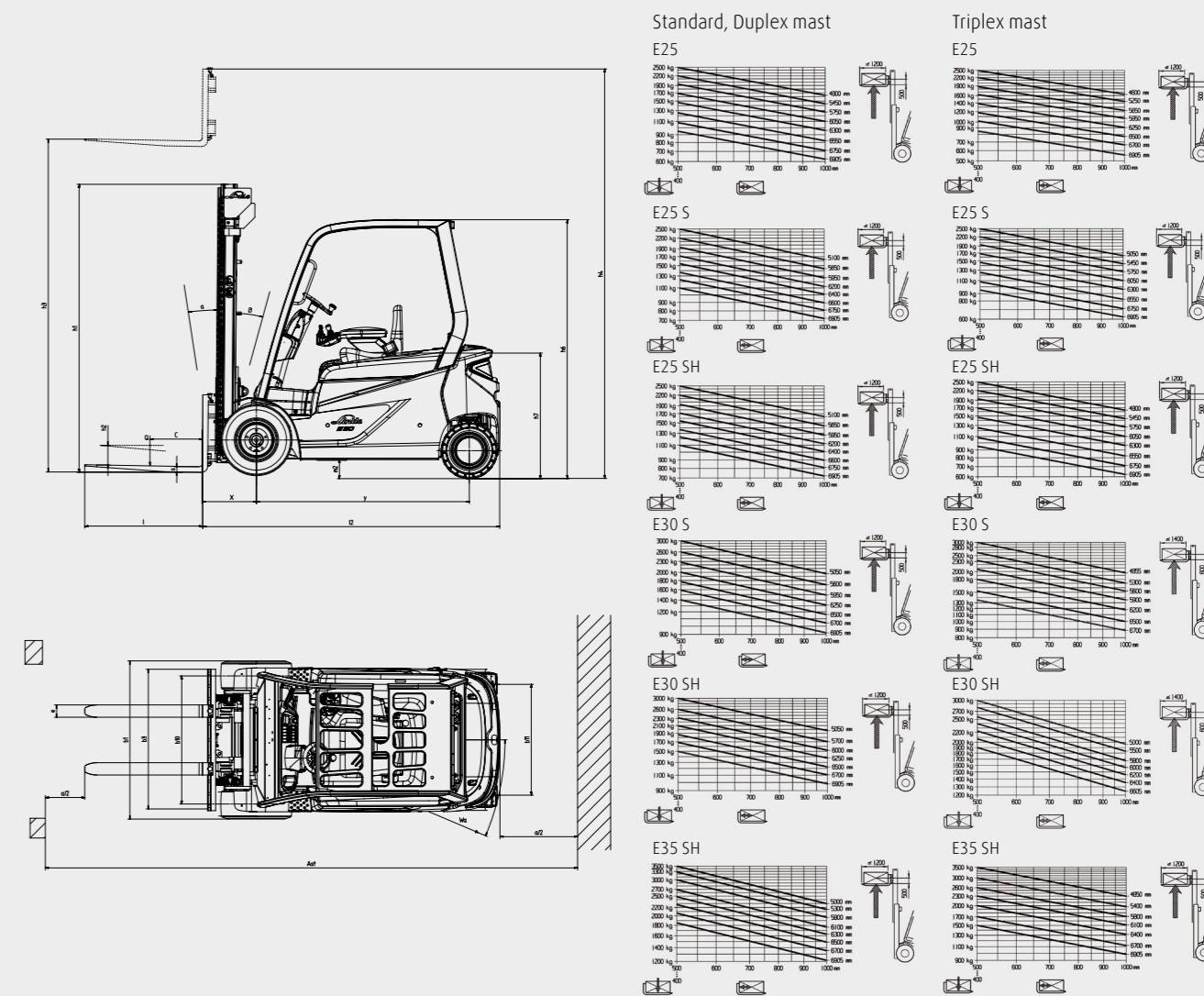


Technical Data

		Characteristics							
		1.1	1.2	1.3	1.4	1.5	1.6		
	Manufacturer	Linde	Linde	Linde	Linde	Linde	Linde		
	Model designation	E25	E25S	E25SH	E30S	E30SH	E35SH		
	Power unit	Battery	Battery	Battery	Battery	Battery	Battery		
	Operation	Driver seated	Driver seated	Driver seated	Driver seated	Driver seated	Driver seated		
	Load capacity	Q(t)	2.5	2.5	2.5	3.0	3.5		
	Load center	c(mm)	500	500	500	500	500		
	Axle centre to fork face	x(mm)	447	447	447	450	455		
	Wheelbase	y(mm)	1720	1720	1720	1720	1720		
Weights	2.1	Service weight	4355	4512	5063	4886	5356	5592	
	2.2	Axle load with load, front/rear	kg	6070/785	6204 / 808	6558 / 1005	7044 / 842	7221 / 1136	8103 / 989
	2.3	Axle load without load, front/rear	kg	2145/2210	2328 / 2184	2532 / 2531	2388 / 2498	2581 / 2775	2661 / 2931
Tyres	3.1	Tyre:SE=(super elastic),P=(pneumatic)	SE	SE	SE	SE	SE	SE	
	3.2	Tyre size, front	23x9-10	23x9-10	23x9-10	23x9-10	23x10-12	315/45-12	
	3.3	Tyre size, rear	200/50-10	200/50-10	200/50-10	200/50-10	200/50-10	200/50-10	
3.5	Wheels, number front/rear(X=driven)	2X / 2	2X / 2	2X / 2	2X / 2	2X / 2	2X / 2		
Measurements	4.1	Mast tilt, forward/backward	α / β (°)	5.0 / 7.5	5.0 / 7.5	5.0 / 7.5(5.0 ¹⁾)	5.0 / 5.0	5.0 / 5.0	5.0 / 7.5(5.0 ¹⁾)
	4.2	Height of mast, lowered	h1(mm)	2158	2158	2158	2158	2158	2158
	4.3	Free lift	h2(mm)	150	150	150	150	150	150
	4.4	Lift	h3(mm)	3050	3050	3050	3050	3050	3050
	4.5	height of mast, extended	h4(mm)	3828 ³⁾	3828 ⁴⁾	3828 ³⁾	3828 ³⁾	3828 ³⁾	3828 ³⁾
	4.7	Height of overhead guard (cabin)	h6(mm)	2085	2085	2242	2085	2242	2242
	4.8	Height of seat platform	h7(mm)	1094(1134 ²⁾)	1094(1134 ²⁾)	1251(1291 ²⁾)	1094(1134 ²⁾)	1251(1291 ²⁾)	1251(1291 ²⁾)
	4.12	Tow coupling height	h10(mm)	654	654	674	654	674	674
	4.19	Overall length	l1(mm)	3427	3427	3427	3430	3430	3435
	4.20	Length to fork face	l2(mm)	2427	2427	2427	2430	2430	2435
	4.21	Overall width	b1/b2(mm)	1175 / -	1175 / -	1175 (1228 ¹⁾) / -	1175 (1228 ¹⁾) / -	1228 / -	1325 / -
	4.22	Fork dimensions,sxexl	s/e/l(mm)	45 x 100 x 1000	45 x 100 x 1000	45 x 100 x 1000	45 x 122 x 1000	45 x 122 x 1000	50 x 150 x 1000
	4.23	Fork carriage to Din 15173, class/form A,B		2A	2A	2A	3A	3A	3A
	4.24	Width of fork carriage	b3(mm)	1150	1150	1150	1150	1150	1150
	4.31	Ground clearance, mast	m1(mm)	123	123	123	123	123	123
	4.32	Ground clearance, center of wheelbase	m2(mm)	122	122	122	122	122	122
	4.33	Aisle width with pallet 1000x1200mm across forks	Ast(mm)	3752 ²⁾	3752 ²⁾	3752 ²⁾	3755 ²⁾	3760 ²⁾	3760 ²⁾
	4.34	Aisle width with pallet 800x1200mm along forks	Ast(mm)	3881 ²⁾	3881 ²⁾	3881 ²⁾	3884 ²⁾	3889 ²⁾	3889 ²⁾
	4.35	Turning radius	Wa(mm)	1986	1986	1986	1986	1986	1986
	4.36	Minium pivoting distance	b13(mm)	75	75	75	75	75	75
Performances	5.1	Travel speed, with/without load	km/h	20/20	20/20	20/20	20/20	20/20	20/20
	5.2	Lifting speed,with/without load	m/s	0,44 / 0,51	0,44 / 0,51	0,44 / 0,51	0,42 / 0,51	0,42 / 0,51	0,39 / 0,51
	5.3	Lowering speed, with/without load	m/s	0,56 / 0,56	0,56 / 0,56	0,56 / 0,56	0,56 / 0,56	0,56 / 0,56	0,56 / 0,56
	5.5	Tractive force, with/without load (60 minute rating)	N	5700 / 5610	5500 / 6000	5800 / 6700	6100 / 6900	7200 / 7700	7130 / 6770
	5.6	Maximum tractive force, with/without load (5 minute rating)	N	15000 / 10620	15000 / 13900	15000 / 11000	15000 / 12000	15000 / 15000	15000 / 15000
	5.7	Climbing ability,with/without load(30 minute rating)	[%]	8.5/13.2	8/13.7	7.8 / 13.6	7.9/14	8.8/14	8/12
	5.8	Maximum climbing ability,with/without load(5 minute rating)	[%]	22/25	22/33	20 / 22	19/25	18/29	17/28
	5.9	Acceliration time,with/without load(first 15m)	[s]	6.3/5.8	6.1/5.8	6.5/5.9	6.3/5.8	6.3/5.9	6.7/5.9
	5.10	Service brake		Hydraulic / electric					
	Drive	6.1	Drive motor hour rating (60 minute rating)	kW	2 x 9	2 x 9	2 x 9	2 x 9	2 x 9
6.2		Lift motor,15% rating	kW	17	17	17	17	17	17
6.3		Battery according to DIN43 535/36 A/B/C/no		43536 A	43536 A	43 536 A	43 536 A	43 536 A	43 536 A
6.4		Batteru voltage / capacity (5 hours)	V / Ah	80 / 320	80/575	80/700	80/575	80/700	80/700
6.5		Battery weight (+/-5%)	kg	858	1458	1863	1458	1863	1863
Others	8.1	Type of drive control		Microprocessor.					
	8.2	Working pressure for attachments	bar	185	185	185	210	210	230
	8.3	Oil flow for attachments	l/min	32	32	32	32	32	32
	8.4	Noise level at driver's ear	dB(A)	65	65	65	65	65	65

Figures for standard version may vary when optional equipment is fitted
 1) Figure in brackets refer to triplex mast.
 2) At 0 tilt angle.
 3) Figures may vary due to different tyres.
 5) For additional mast height refer to page 3.
 6) At 80% rated pressure.

Lifting Capacity Diagram for Standard, Duplex Mast and Triplex Mast with Standard Fork Carriage:



Mast Datasheet (in: mm)

Standard masts (mm)	E25/E25S/E25SH/E30S/E30SH/E35SH					
Lift height	h ₃	2850	3050	3650	4050	5550
Retracted height with 150mm free lift	h ₁	2135	2235	2535	2735	3235
Height of overall at max. lift	h ₄	3628	3828	4428	4828	5832
Free lift	h ₂	150	150	150	150	150

Duplex masts (mm)	E25/E25S/E25SH/E30S/E30SH/E35SH					
Lift height	h ₃	2915	3215	3715		
Retracted height	h ₁	2062	2212	2462		
Height of overall at max. lift	h ₄	3697	3997	4497		
Free lift	h ₂	1274	1424	1674		

Triplex masts (mm)	E25/E25S/E25SH/E30S/E30SH/E35SH					
Lift height	h ₃	4315	4705	5355	5955	6605
Retracted height	h ₁	2062	2214	2462	2662	2912
Height of overall at max. lift	h ₄	5097	5487	6137	6737	7387
Free lift	h ₂	1274	1424	1674	1874	2124